

DEPARTMENT OF IT

Course Code & Name : 23EET103- Electric Circuits and Electron Devices

Course Faculty : Ms.S.Kasthuri

Puzzles / In Class Activities

Topics Covered: **Unit I - ELECTRICAL CIRCUITS**

Puzzle 1

Puzzles / In Class Activities

Topics Covered: Unit I - ELECTRICAL CIRCUITS

Puzzle 1: DC Circuit Design Challenge

Series Puzzle 1

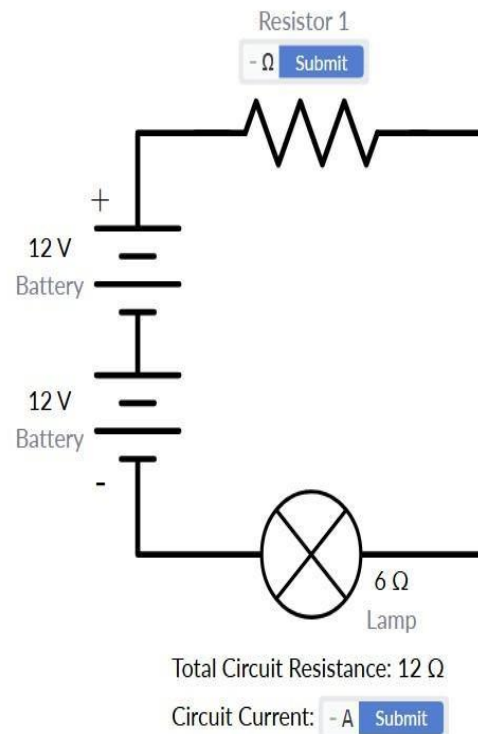
Can you type in the missing values? Pay attention to the units!

What is the voltage drop across Resistor 1? -- V Submit

What if...?

If the value of Resistor 1 drops to 0Ω , what would happen to the lamp?

- The lamp would become dimmer, because the current in the circuit would decrease without the extra resistance.
- The lamp would become brighter, because the current in the circuit would increase without the extra resistance.



Series Puzzle 2

How about this circuit? Enter the missing values.

What is the voltage drop across the solenoid?

How much power is the lamp using?

