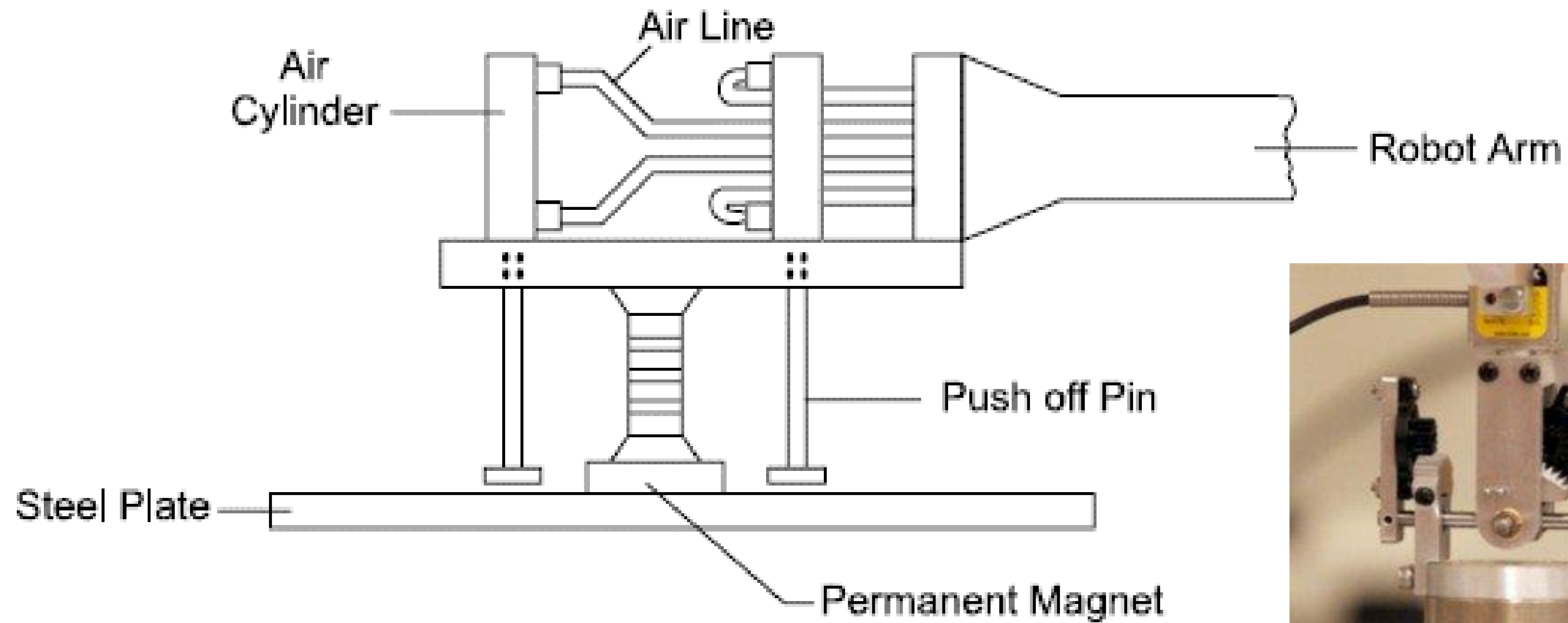




# GRIPPER - Used for Material Handling

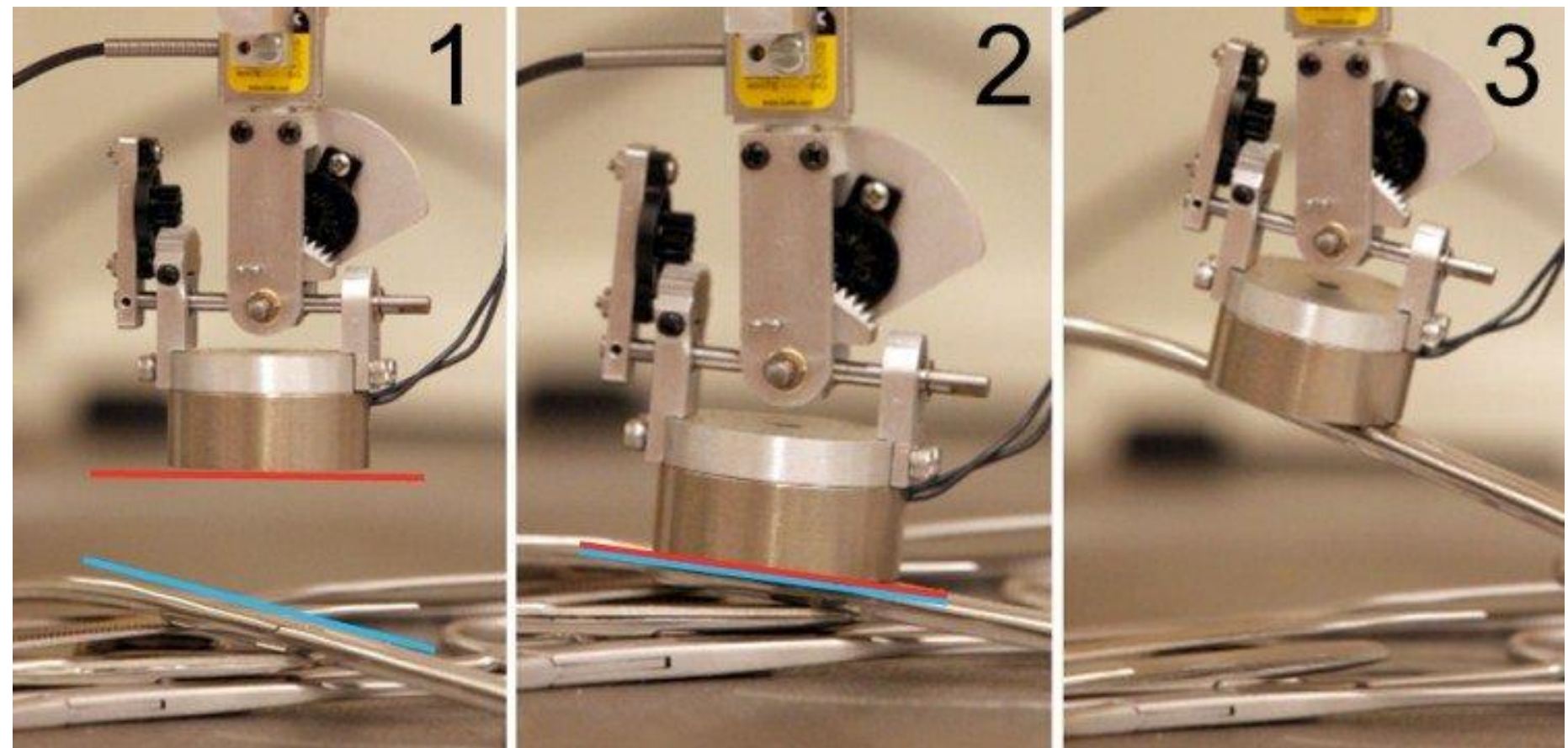


## MAGNETIC GRIPPER



## PERMANENT MAGNET

## ELECTROMAGNET

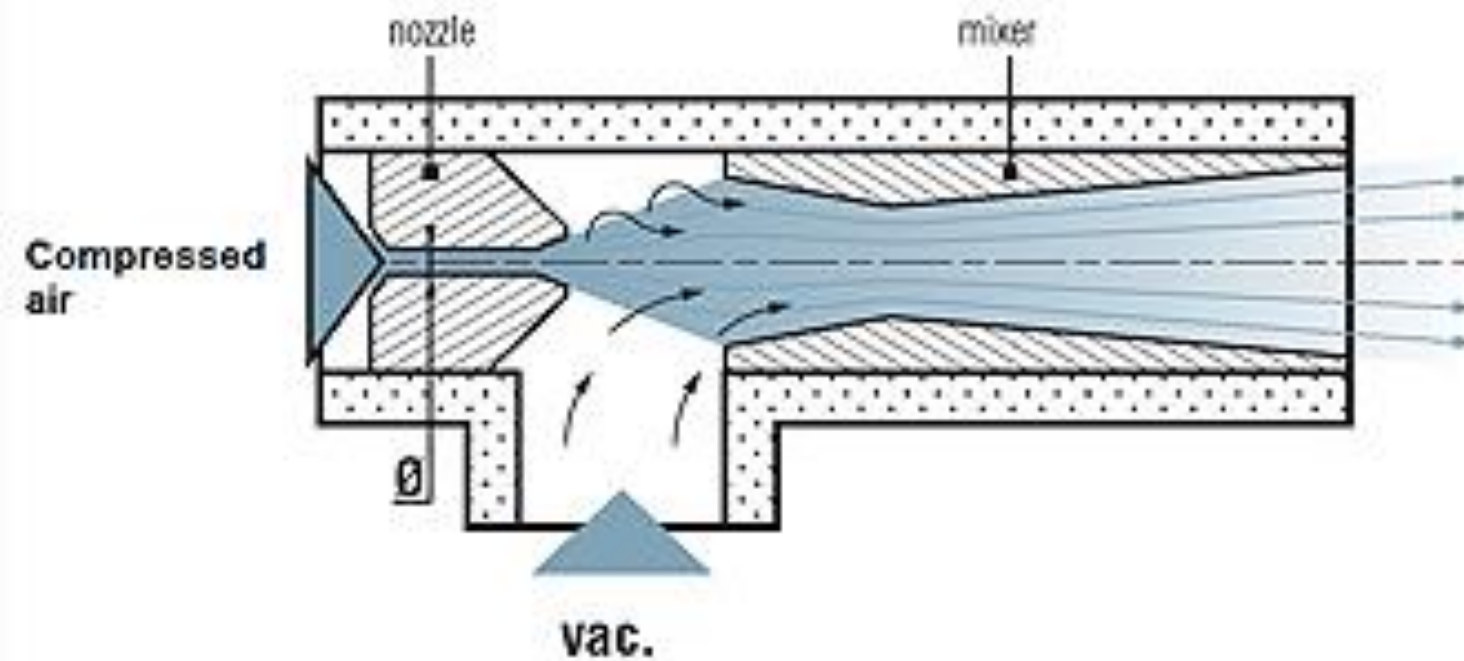
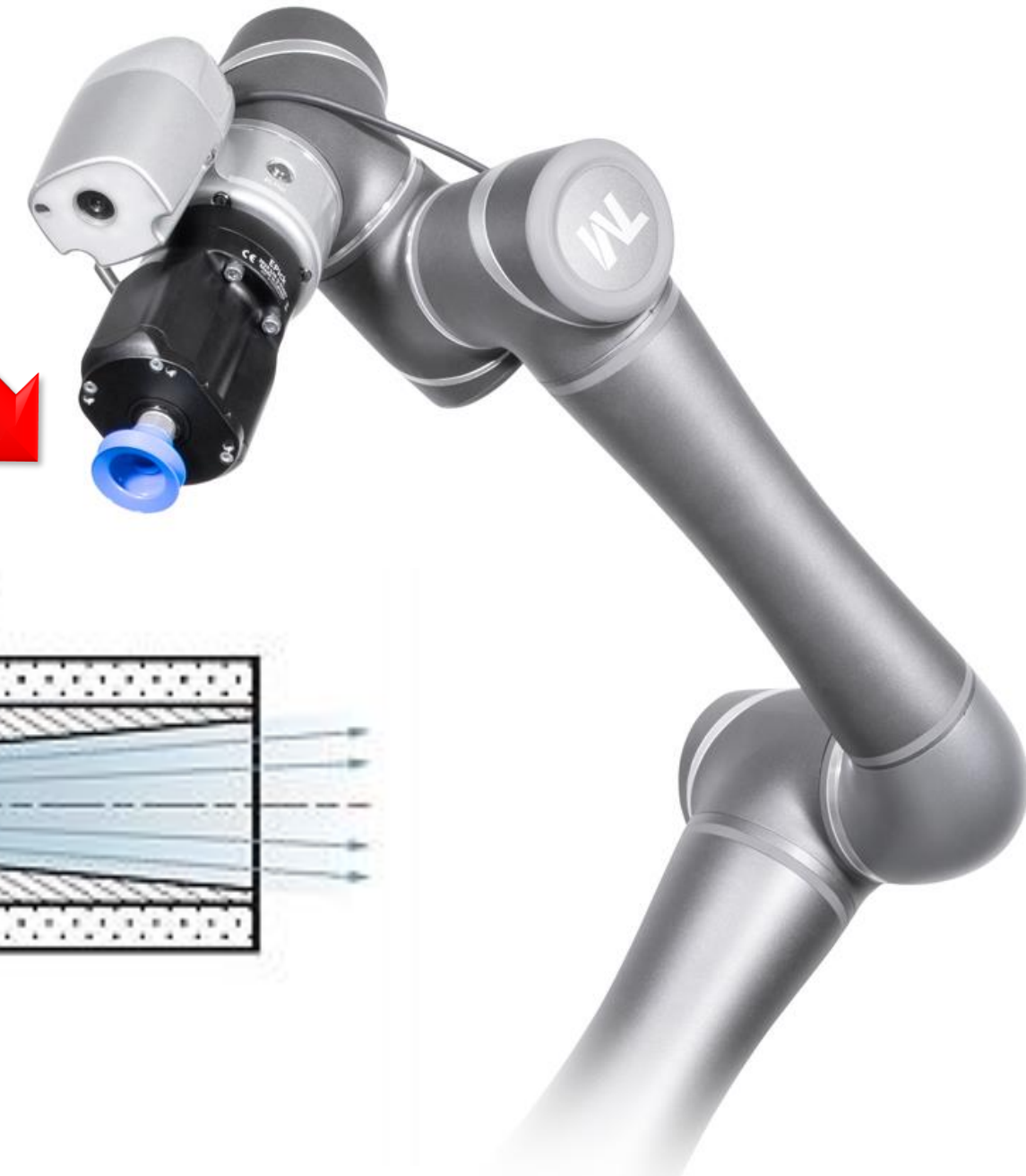






# GRIPPER - Used for Material Handling

## VACUUM GRIPPER





# **GRIPPER** - Used for Material Handling



## **BELLOW TYPE GRIPPER**

