



# SNS COLLEGE OF TECHNOLOGY



Coimbatore-36.

An Autonomous Institution

Accredited by NBA – AICTE and Accredited by NAAC – UGC with ‘A++’  
Grade Approved by AICTE, New Delhi & Affiliated to Anna University, Chennai

**COURSE NAME :23CST101– PROBLEM SOLVING & C PROGRAMMING**

**I YEAR/ I SEMESTER**

**UNIT – I INTRODUCTION TO PROBLEM SOLVING TECHNIQUES**

**Topic: Computer Hardware, Computer Software**

Ms.Narmada C

AP/CSE

Department of Computer Science and Engineering



# Computer Hardware

Computer Hardware consists of the physical devices associated with computer system.

## Computer Hardware

- Input devices
- System unit
- Output devices
- Storage devices
- Processing Unit:  
The CPU and  
Main Memory



Luai M. Malhis





# Computer Hardware

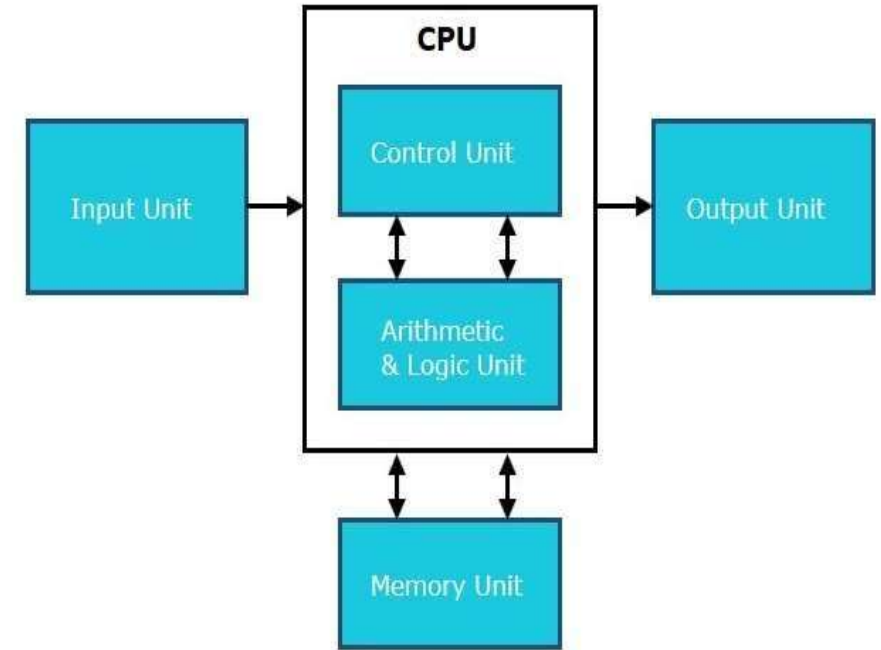


## CPU(Central Processing Unit)

- CPU is considered as the brain of the computer.
- CPU performs all types of data processing operations.
- It stores data, intermediate results, and instructions (program).
- It controls the operation of all parts of the computer.

## Components CPU:

- Memory or Storage Unit
- Control Unit
- ALU(Arithmetic Logic Unit)
  1. Arithmetic Section
  2. Logic Section



Processor



## Input Devices

The Physical Parts of a Computer System which allows data to be entered into a Computer System

- Keyboard
- Graphics Tablet
- Touch-Sensitive Screen
- Mouse
- Microphone
- Digital Camera
- Digital Video Camera
- Webcam
- Trackball
- Trackpad
- Joystick
- Scanner





## Output Devices

- An output device is a device which allows data to be displayed or passed out of a computer system
- Printers
  - Laser
  - Inkjet
- Monitor
  - Liquid Crystal Display
  - Thin Film Transistor
  - Cathode Ray Tube
- Plotter
- Loud speaker
- Projector

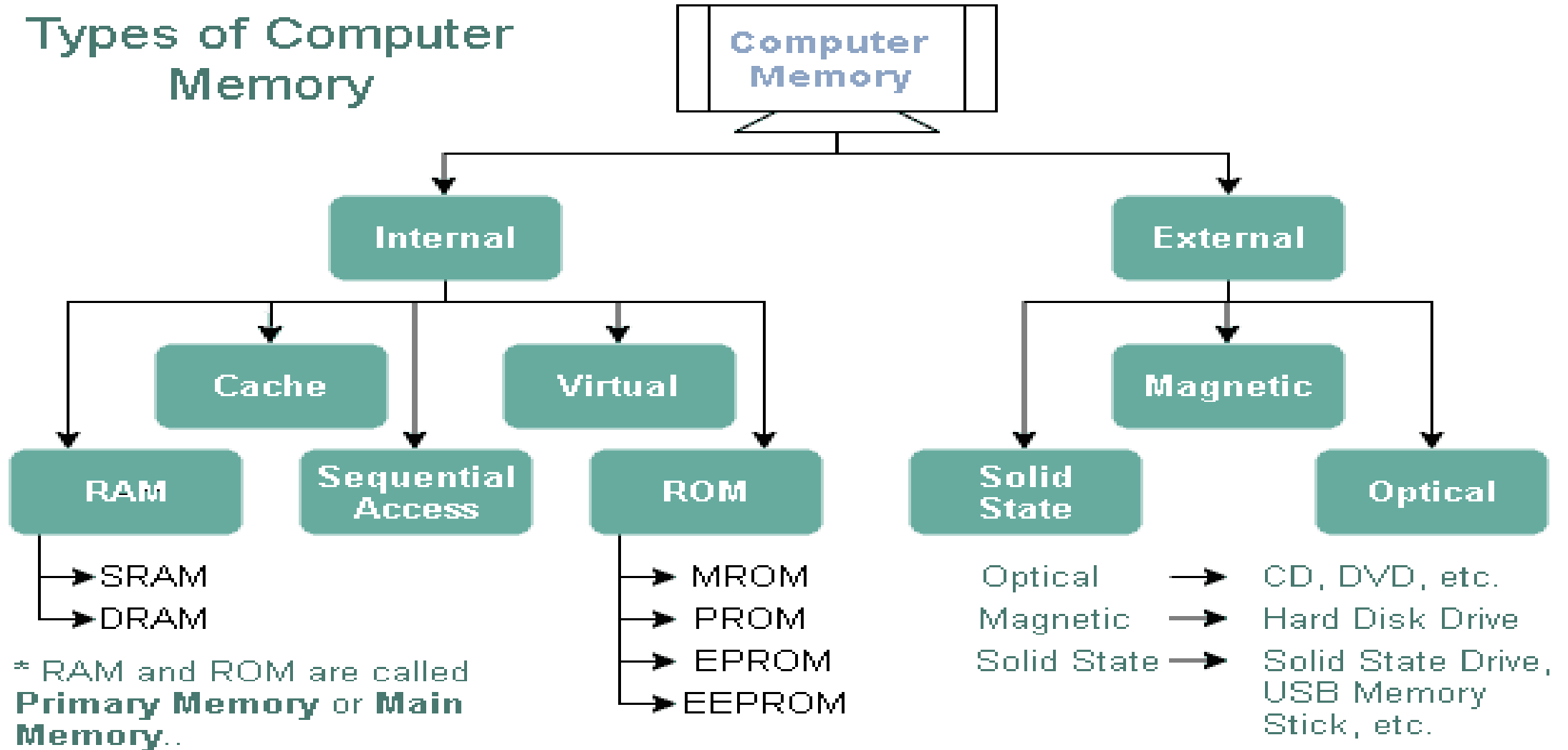




# Computer Hardware



## Types of Computer Memory





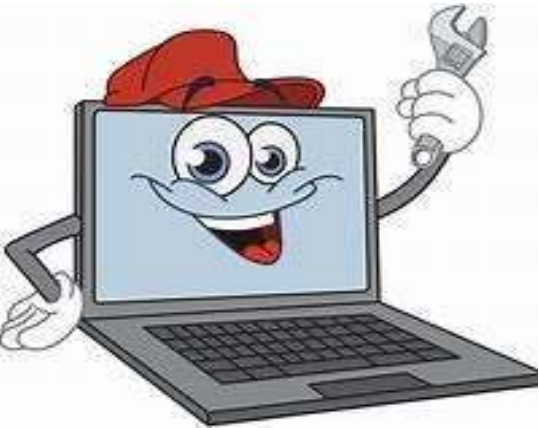
# Computer Software

**Computer Software** is a set of programs, which is designed to perform a well-defined function.

A program is a sequence of instructions written to solve a particular problem.

**Two types of software –**

- 1. System Software
- 2. Application Software



## Types of Computer Software

Computer software or just software is a collection of computer programs and related data that provides the instructions for telling a computer what to do and how to do it. Any set of instructions that guides the hardware and tells it how to accomplish each task.

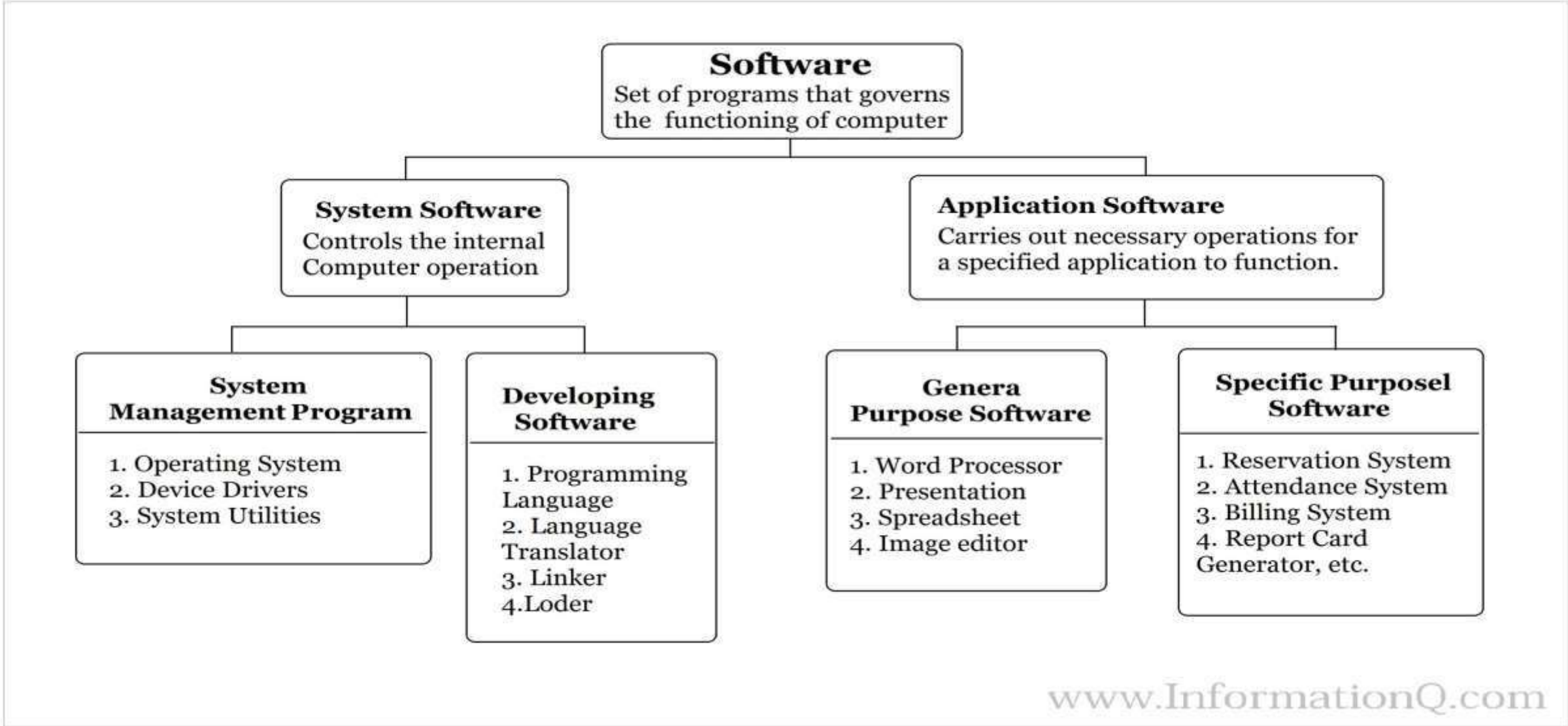
**Systems Software**

**Application Software**

GetupLearn.com



# Computer Software







Thank  
you

Thank you