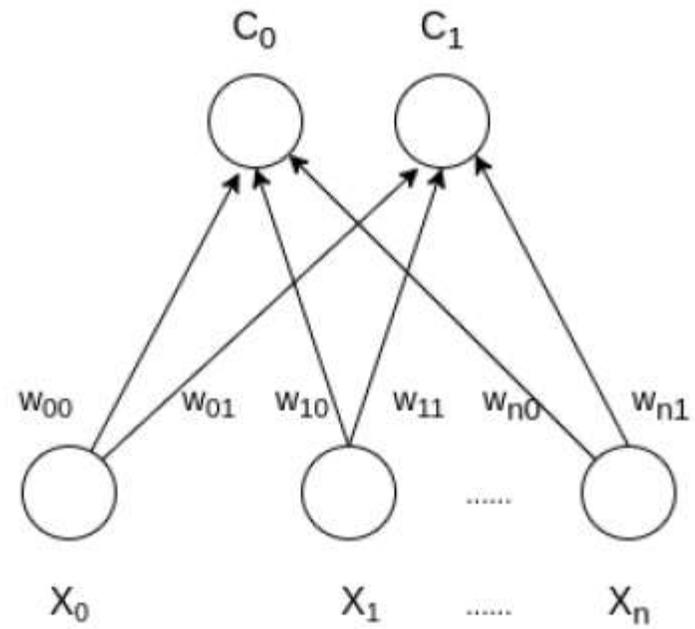




Self Organizing Maps – Kohonen Maps

- **Self Organizing Map (or Kohonen Map or SOM)** is a type of Artificial Neural Network which is also inspired by biological models of neural systems from the 1970s. It follows an unsupervised learning approach and trained its network through a competitive learning algorithm.
- SOM is used for clustering and mapping (or dimensionality reduction) techniques to map multidimensional data onto lower-dimensional which allows people to reduce complex problems for easy interpretation. SOM has two layers, one is the Input layer and the other one is the Output layer.



How do SOM works?

Let's say an input data of size (m, n) where m is the number of training examples and n is the number of features in each example. First, it initializes the weights of size (n, C) where C is the number of clusters. Then iterating over the input data, for each training example, it updates the winning vector (weight vector with the shortest distance (e.g. Euclidean distance) from training example). Weight updation rule is given by :

$$w_{ij} = w_{ij}(\text{old}) + \text{alpha}(t) * (x_i^k - w_{ij}(\text{old}))$$

where α is a learning rate at time t , j denotes the winning vector, i denotes the i^{th} feature of training example and k denotes the k^{th} training example from the input data. After training the SOM network, trained weights are used for clustering new examples. A new example falls in the cluster of winning vectors.

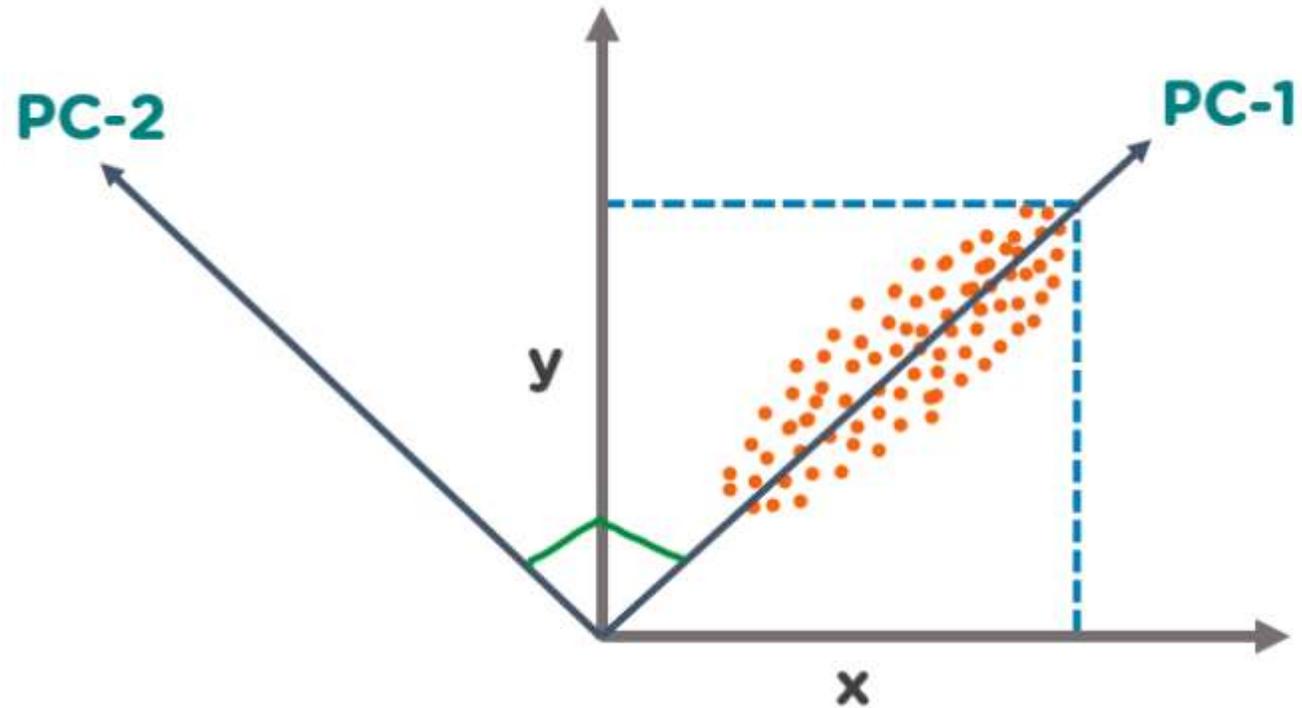
Algorithm

The steps involved are :

- Weight initialization
- For 1 to N number of epochs
- Select a training example
- Compute the winning vector
- Update the winning vector
- Repeat steps 3, 4, 5 for all training examples.
- Clustering the test sample

Principal Component Analysis

The Principal Component Analysis is a popular unsupervised learning technique for reducing the dimensionality of data. It increases interpretability yet, at the same time, it minimizes information loss. It helps to find the most significant features in a dataset and makes the data easy for plotting in 2D and 3D. PCA helps in finding a sequence of linear combinations of variables.



Principal Component

The Principal Components are a straight line that captures most of the variance of the data. They have a direction and magnitude. Principal components are orthogonal projections (perpendicular) of data onto lower-dimensional space.

Principal curves

Principal curves are smooth one-dimensional curves that pass through the middle of a p -dimensional data set. They minimize the distance from the points and provide a non-linear summary of the data. The curves are non-parametric and their shape is suggested by the data.

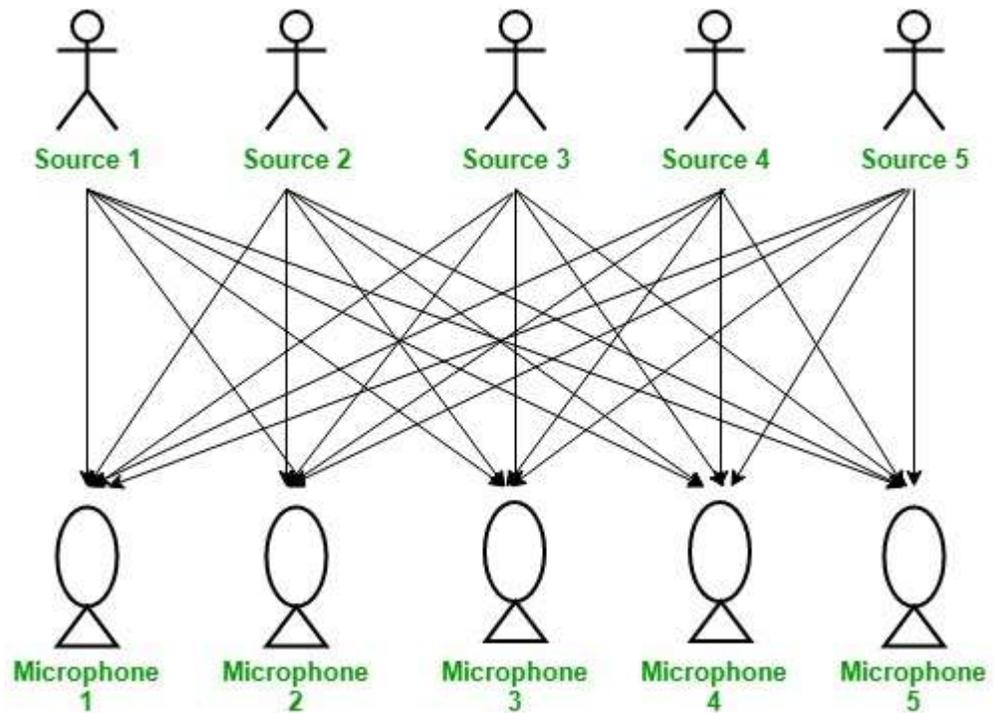
principal surfaces

- principal surfaces are two-dimensional surfaces that pass through the middle of the data. The curves and surfaces are found using an iterative procedure which starts with a linear summary such as the usual principal component line or plane.
- Each successive iteration is a smooth or local average of the d -dimensional points, where local is based on the projections of the points onto the curve or surface of the previous iteration.
- Several linear techniques, such as factor analysis and errors in variables regression, end up using the principal components as their estimates after a suitable scaling of the coordinates.

Independent Component Analysis (ICA)

Independent Component Analysis (ICA) is a machine learning technique to separate independent sources from a mixed signal. Unlike principal component analysis which focuses on maximizing the variance of the data points, the independent component analysis focuses on independence, i.e. independent components.

Consider *Cocktail Party Problem* or *Blind Source Separation* problem to understand the problem which is solved by independent component analysis.



Here, There is a party going into a room full of people. There is an 'n' number of speakers in that room and they are speaking simultaneously at the party. In the same room, there are also 'n' microphones placed at different distances from the speakers which are recording 'n' speakers' voice signals. Hence, the number of speakers is equal to the number must of microphones in the room.

Now, using these microphones' recordings, we want to separate all the 'n' speakers' voice signals in the room given each microphone recorded the voice signals coming from each speaker of different intensity due to the difference in distances between them. Decomposing the mixed signal of each microphone's recording into an independent source's speech signal can be done by using the machine learning technique, independent component analysis.

$$[X1, X2, \dots, Xn] \Rightarrow [Y1, Y2, \dots, Yn]$$

where, $X1, X2, \dots,$ and Xn are the original signals present in the mixed signal and $Y1, Y2, \dots,$ and Yn are the new features and are independent components which are independent of each other.

Restrictions on ICA

- 1.The independent components generated by the ICA are assumed to be statistically independent of each other.
- 2.The independent components generated by the ICA must have non-gaussian distribution.
- 3.The number of independent components generated by the ICA is equal to the number of observed mixtures.