



SNS COLLEGE OF TECHNOLOGY

(An Autonomous Institution)

COIMBATORE-35

Accredited by NBA-AICTE and Accredited by NAAC – UGC with A+ Grade
Approved by AICTE, New Delhi & Affiliated to Anna University, Chennai



23EET104 / ANALOG ELECTRONICS CIRCUITS I YEAR / II SEMESTER

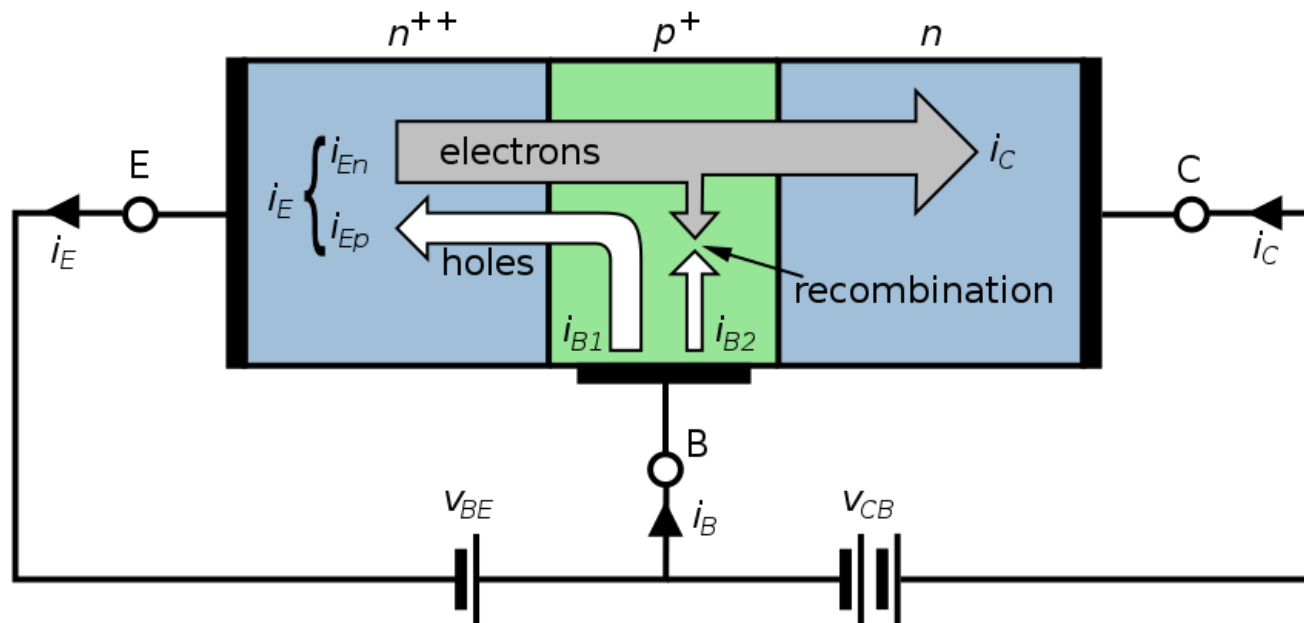
UNIT-II: MULTI JUNCTION DEVICES



BJT



TOPIC OUTLINE



- ✓ Introduction
- ✓ Working principle
- ✓ VI characteristics
- ✓ Applications





Introduction



A **Bipolar Junction Transistor (BJT)** is a current-controlled semiconductor device which has three-terminals. The current in BJT is carried by both majority and minority carriers so it is known as bipolar device. The input resistance of BJT is low so it is used as an amplifier, oscillator circuits and digital circuits.



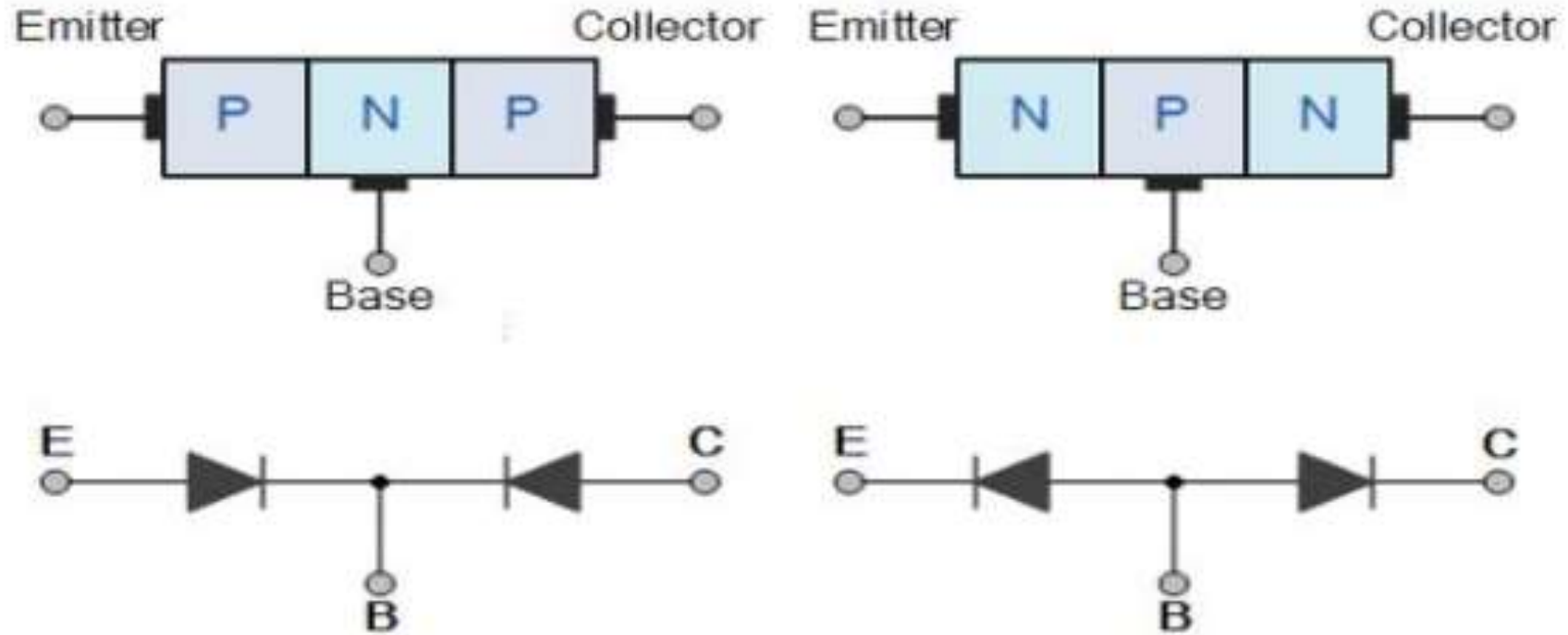
Basic Construction of BJT

A BJT consists of two pn junctions so it is analogous to two back to back connected diodes as shown in fig 1.1. A transistor is classified into two types based on its construction.

1. NPN Transistor
2. PNP Transistor

A transistor in which a thin layer of n-type semiconductor is sandwiched between two layers of p-type semiconductor is known as **PNP transistor**. In PNP transistor charge carriers are holes.

A transistor in which a thin layer of p-type semiconductor is sandwiched between two layers of n-type semiconductor is known as **NPN transistor**. In NPN transistor charge carriers are electrons.

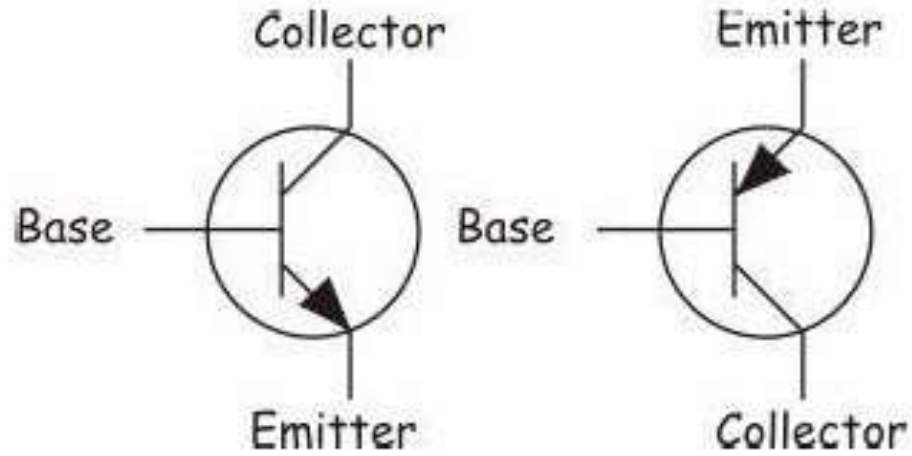


Basic Construction of Transistor

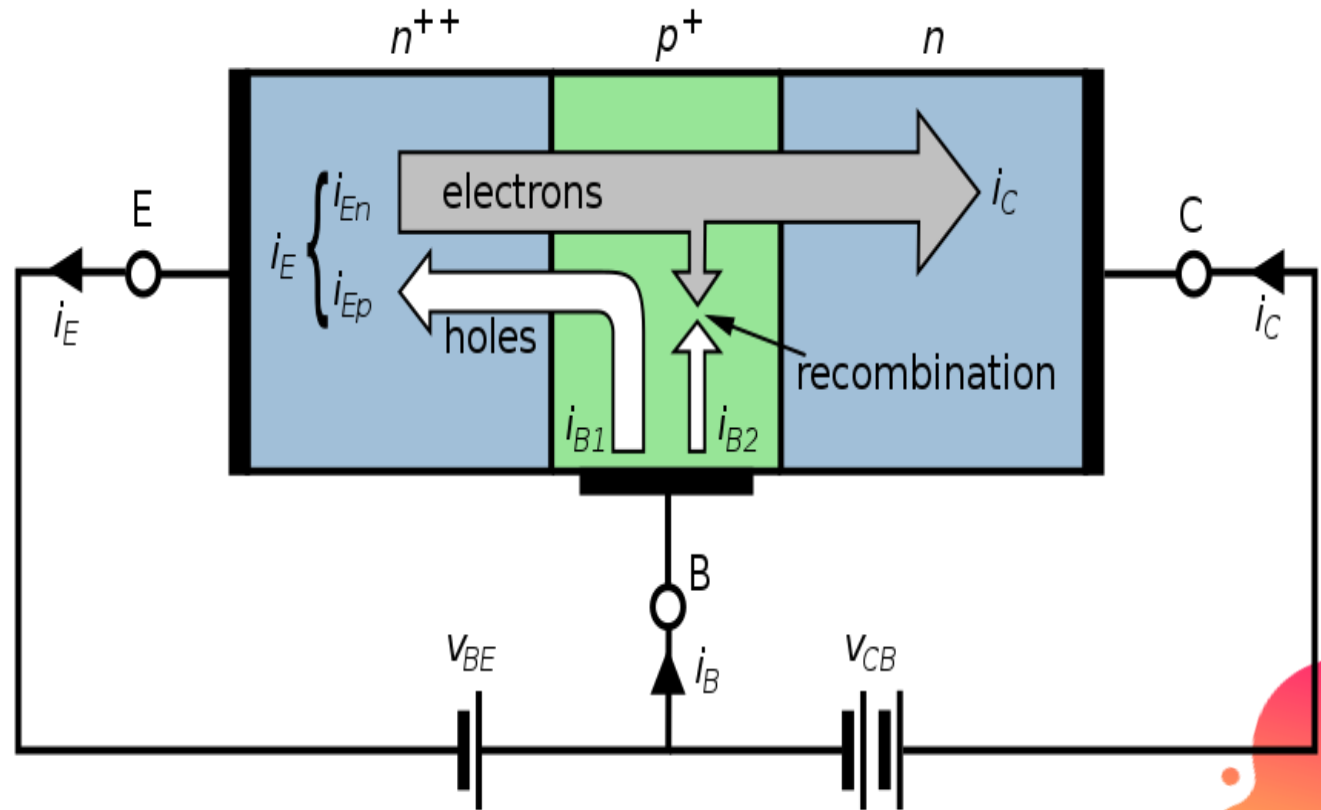
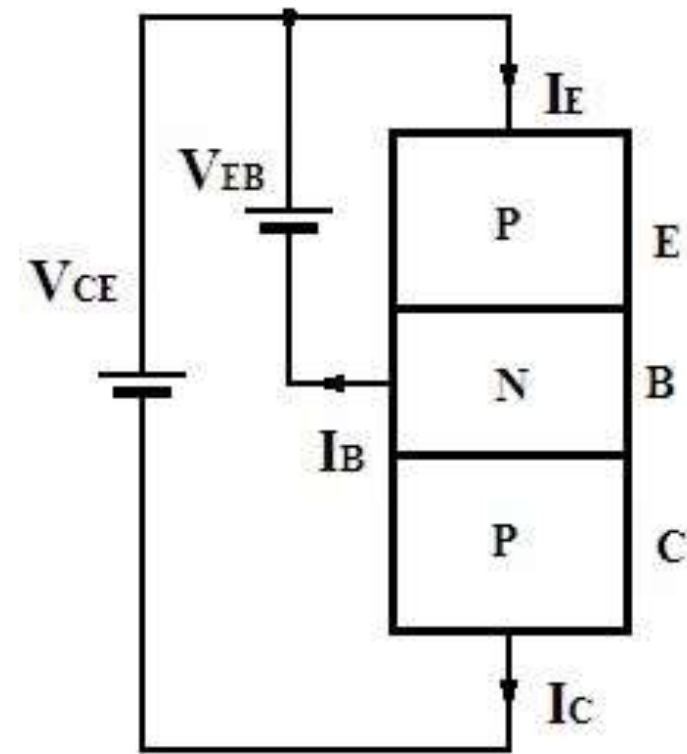




Symbols



Equivalent Circuit and Operation of BJT





Extract of BJT Operation



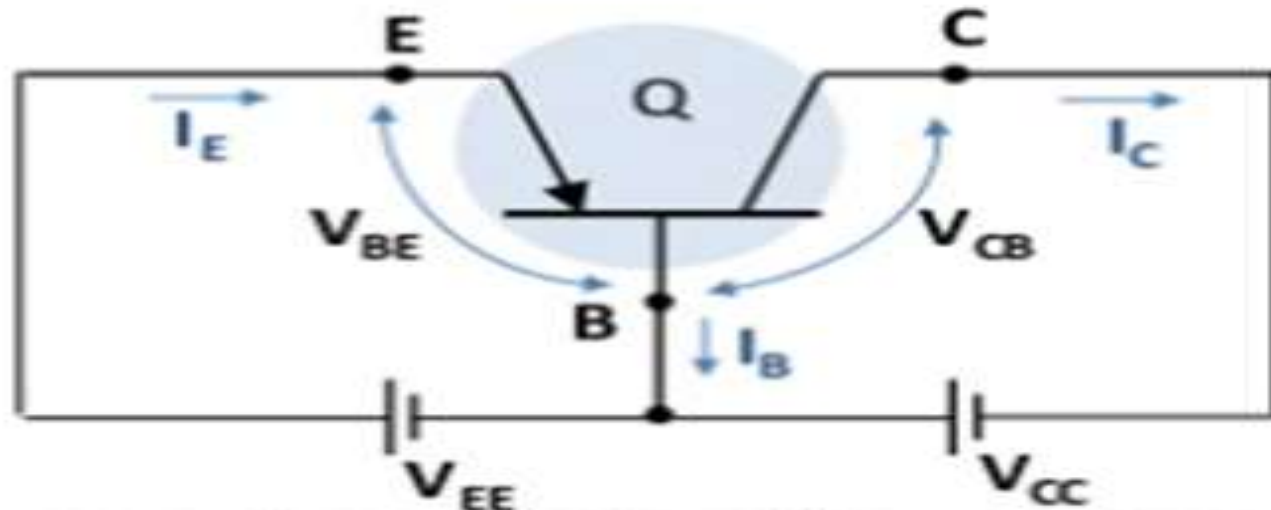
- Output current can toggle between large and small
(Switching \rightarrow Digital logic; create 0s and 1s)
- **Small** change in 'valve' (3rd terminal) creates **Large** change in output between 1st and 2nd terminal
(Amplification \rightarrow Analog applications; Turn 0.5 \rightarrow 50)





BJT CONFIGURATION:

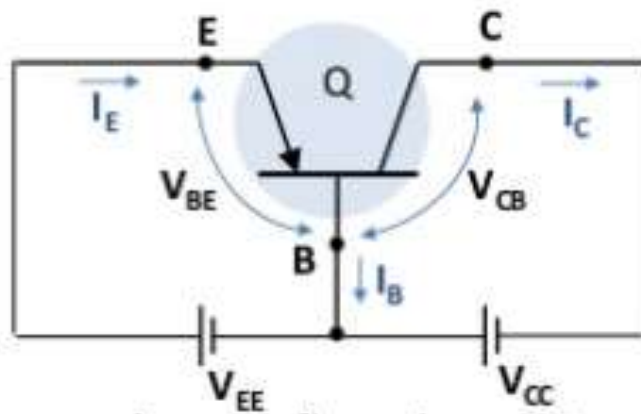
- 1. Common Base Configuration
- 2. Common Emitter Configuration
- 3. Common Collector Configuration



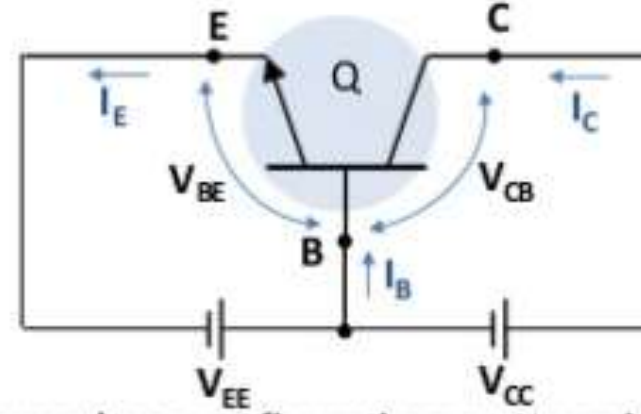
Common base configuration pnp transistor



BJT: Common Base configuration



Common base configuration pnp transistor



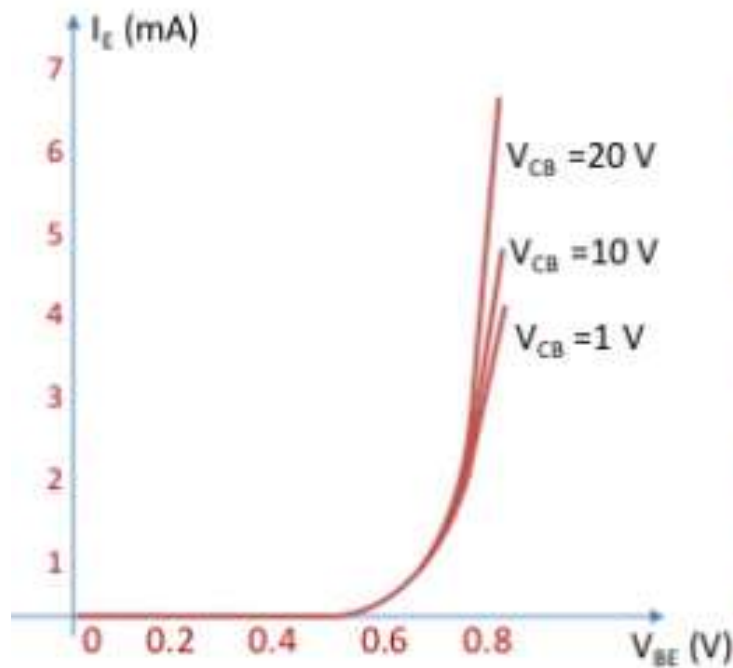
Common base configuration npn transistor

- Behaviour of BJT is described by two sets of characteristics; driving point or input parameters and output parameters.
- The input set for the CB amplifier relates an input current (I_E) to an input voltage (V_{BE}) for various levels of output voltage (V_{CB}).
- The output set for the CB amplifier relates an output current (I_C) to an output voltage (V_{CB}) for various levels of input current (I_E).

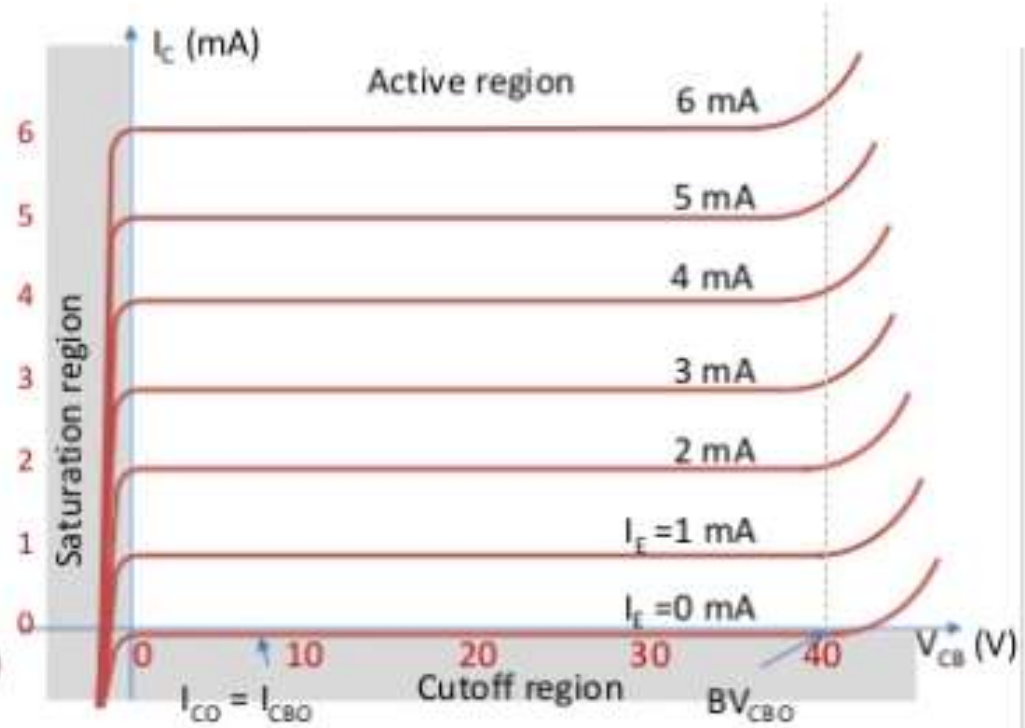




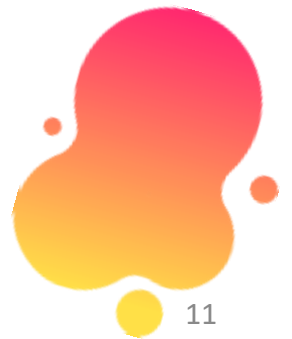
BJT: Common Base configuration



Input characteristics of CB configuration

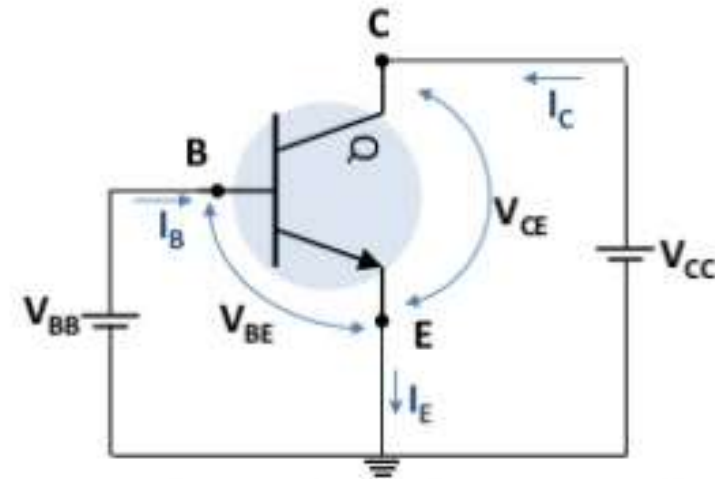
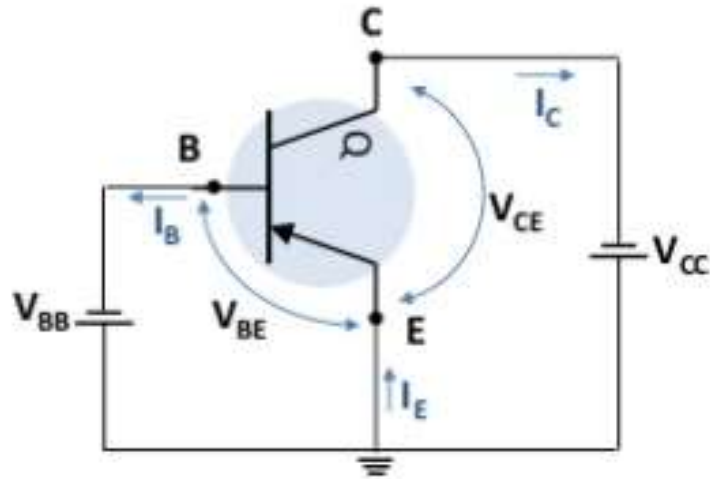


Output characteristics of CB configuration





BJT: Common Emitter Configuration



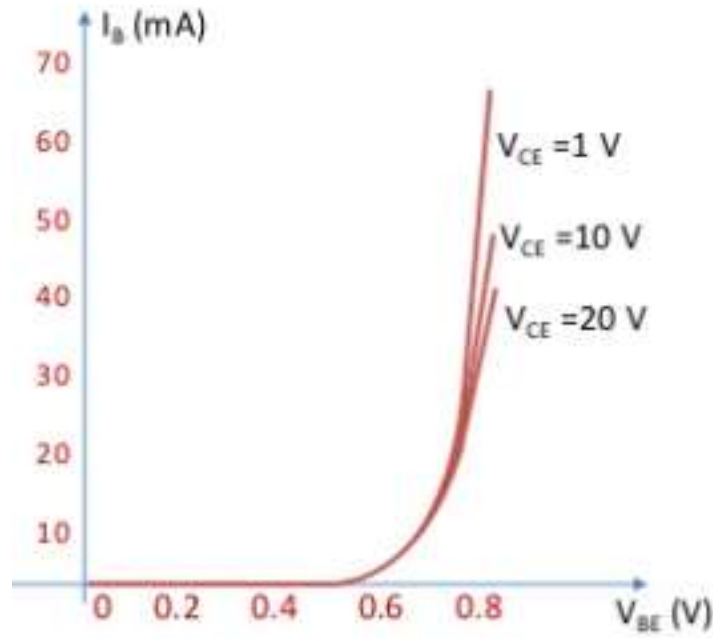
Common emitter configuration pnp transistor Common emitter configuration npn transistor

- The input set for the CE amplifier relates an input current (I_B) to an input voltage (V_{BE}) for various levels of output voltage (V_{CE}).
- The output set for the CE amplifier relates an output current (I_C) to an output voltage (V_{CE}) for various levels of input current (I_B).

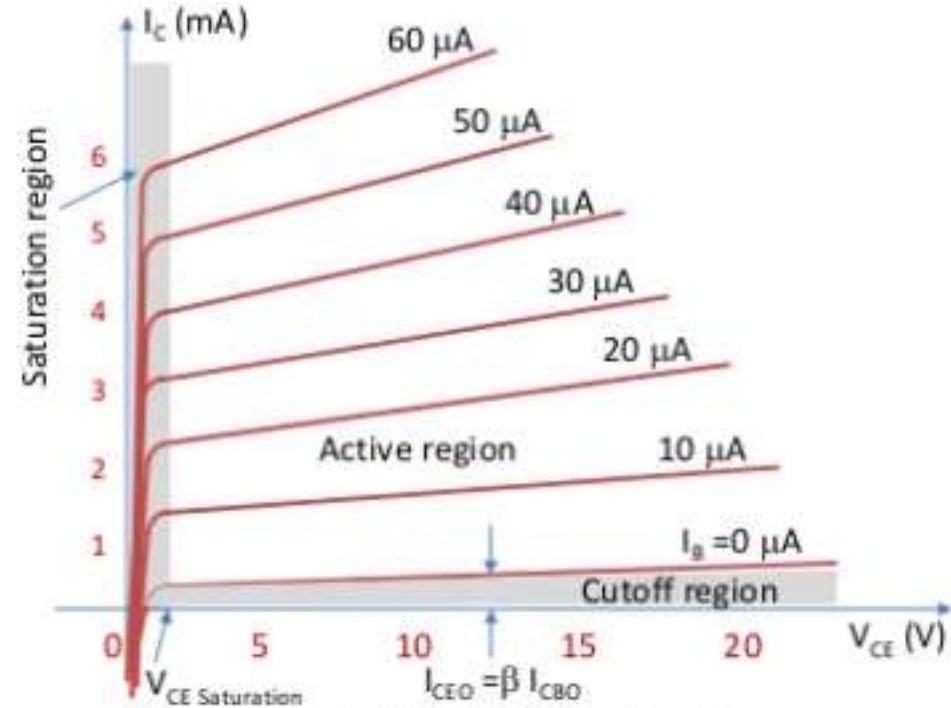




BJT: Common Emitter Configuration



Input characteristics of CE configuration

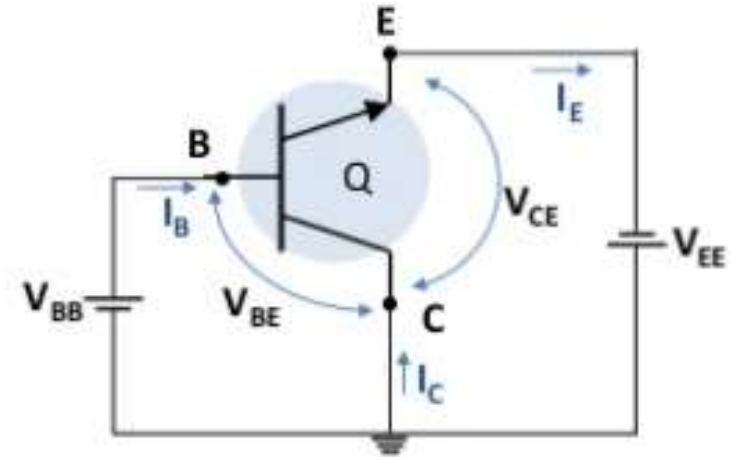
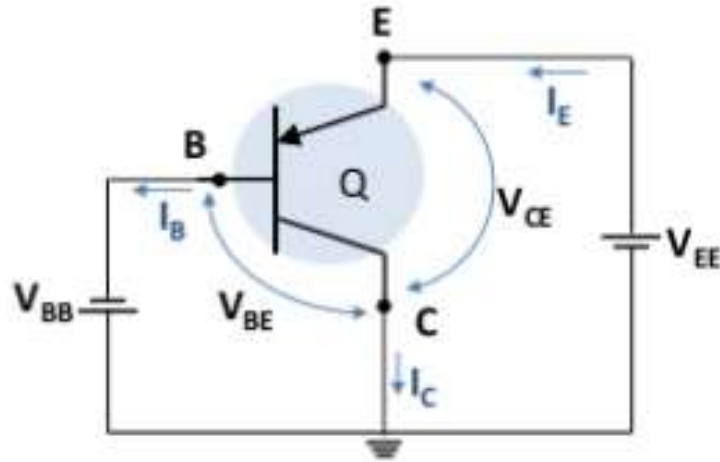


Output characteristics of CE configuration





BJT: Common Collector Configuration



Common emitter configuration pnp transistor

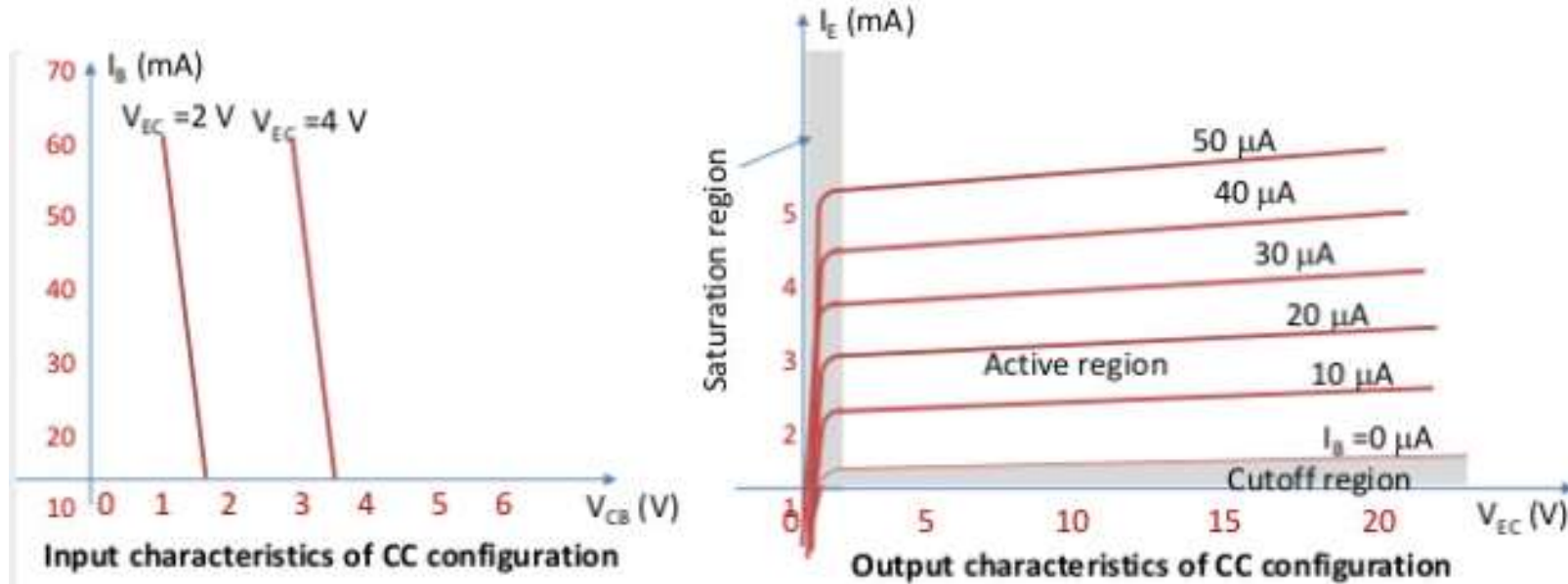
Common emitter configuration npn transistor

- CC configuration is also known as emitter follower configuration as the emitter voltage follows the base voltage.
- This configuration is mostly used as a buffer.
- CC configuration is used mainly for impedance-matching, as it has high-input & low-output impedance, opposite to CB/CE Configuration

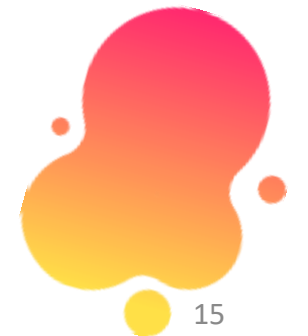




BJT: Common collector Configuration

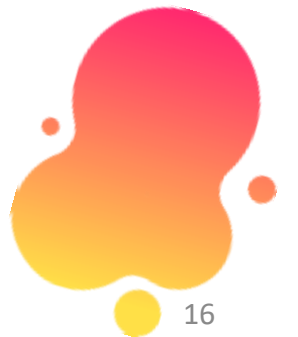


- Input characteristics of the CC configuration is different as current I_B decreases with increase in base collector voltage
- Output characteristics of the CC configuration are the same as of CE configuration.



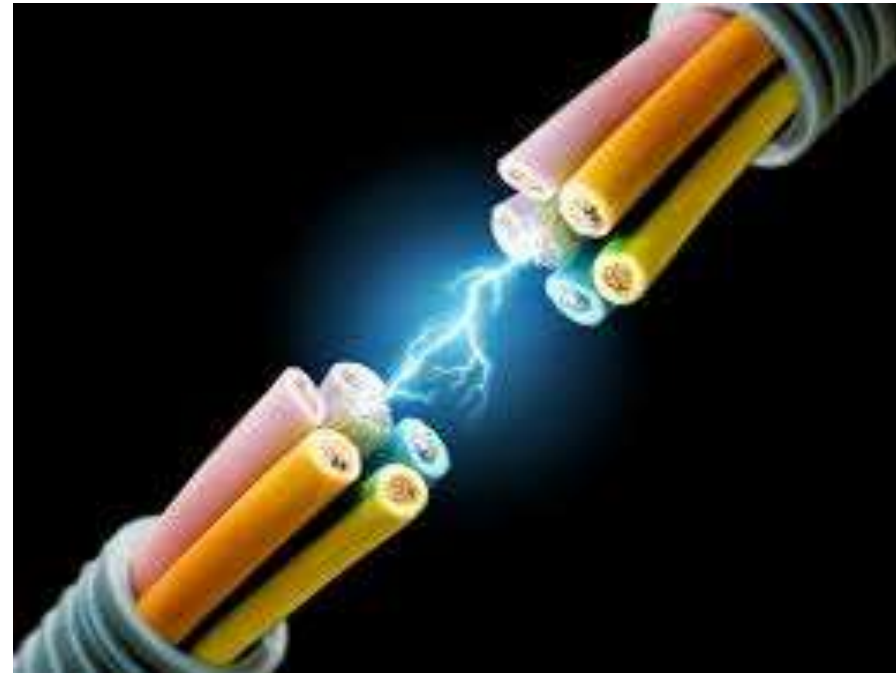
Applications

- 1) These are the transistors that are preferred in the logic circuits.**
- 2) It is used in the circuits of amplification.**
- 3) These are preferred in the oscillation circuits.**
- 4) These are preferred in the multi-vibrator circuits.**
- 5) In the clipping circuits, these are preferred for wave shaping circuits.**
- 6) It used in the circuits of the timer and the circuits of the time delay.**
- 7) These are used in the circuits of switching.**
- 8) Used in the circuits of detector or as demodulation.**





RECAP...



...THANK YOU

